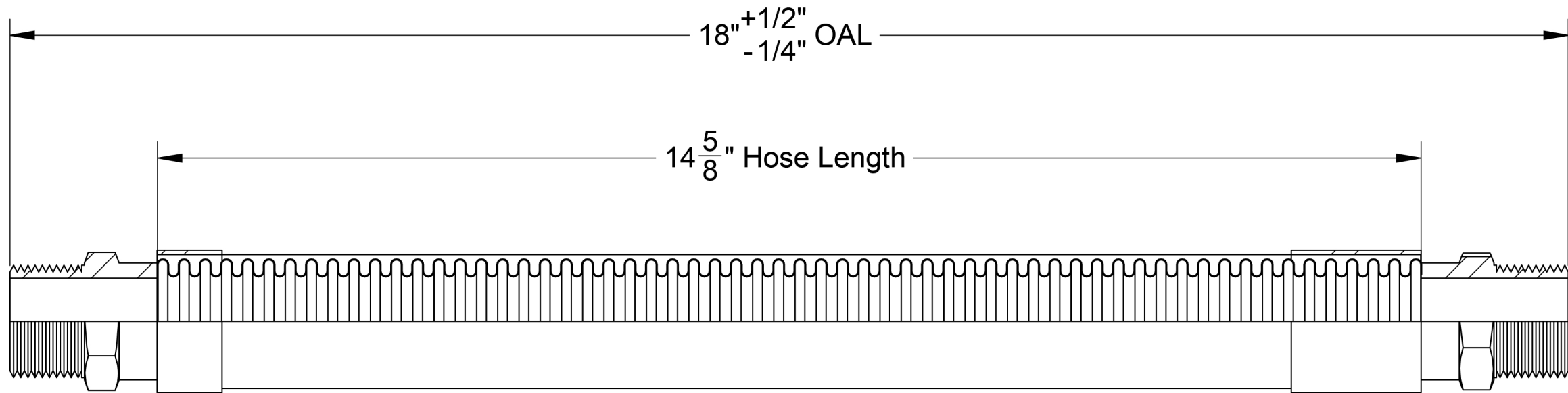
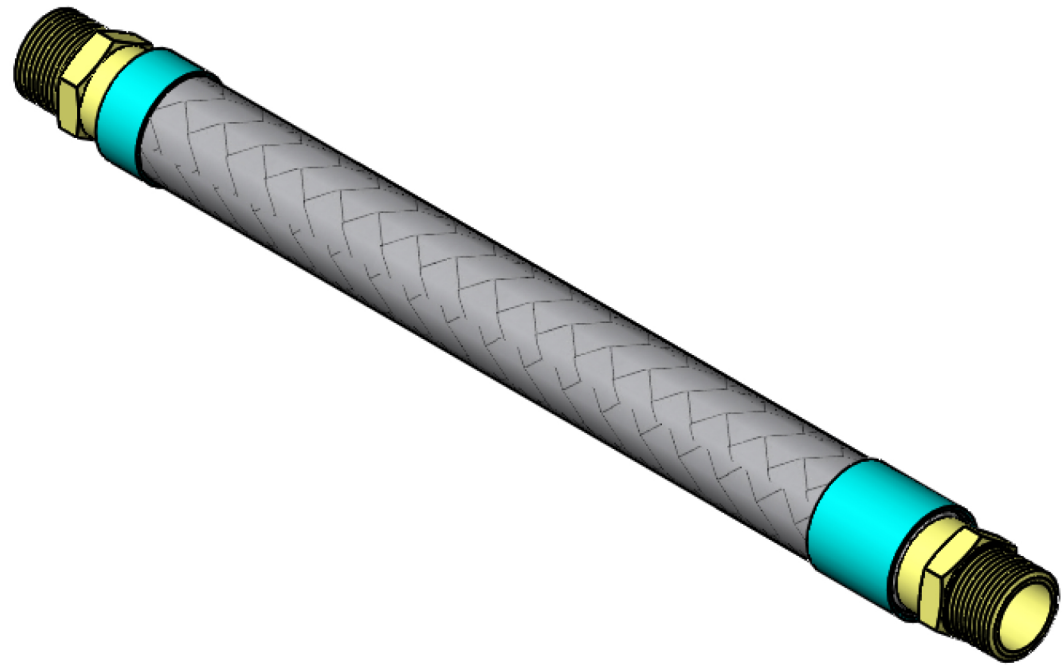





REVISIONS			
REV.	DESCRIPTION	DATE	APPROVED



ITEM #	QTY.	PART NUMBER	DESCRIPTION	MATERIAL	WEIGHT
1	1	HOSE	300 Series Stainless HYDROFORMED Corrugated Hose	Stainless Steel	0.35
2	1	BRAID	300 Series Stainless Steel	Stainless Steel	0.04
3	1	BRAID COLLAR	0.05" Thick	Stainless Steel	0.05
4	1	BRAID COLLAR 2	0.05" Thick	Stainless Steel	0.11
5	2	1" MALE	1" Male, 1"x1 1/2" Thread, 1.38" Hex	Stainless Steel	0.27



		HOSE MASTER Inc. 1233 East 222nd Street • Cleveland, Ohio 44117 (800) 221-2319 • Fax: (216) 481-7557 • www.hosemaster.com Locations: Cleveland • Houston		Registered to: ISO 9001 : 2000
				
Projection: 	Customer: Hose Master Inc.	Prepared By: kannk		Date: 9/24/2009
	Reference: Fire-Shield - 1" Male x 1" Male x 18" OAL	CALC. WEIGHT: 1 lbs.		
	Description: 1" ID x 18" OAL 300 Series Stainless HYDROFORMED Corrugated Hose covered by 300 Series Stainless Braid. UL Approved 1" Male Connectors			
	Drawing #: FSMM0100x18	Rev.: -	SHEET 1 OF 1	